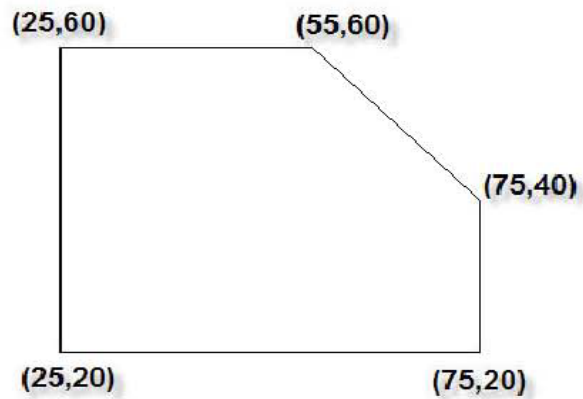
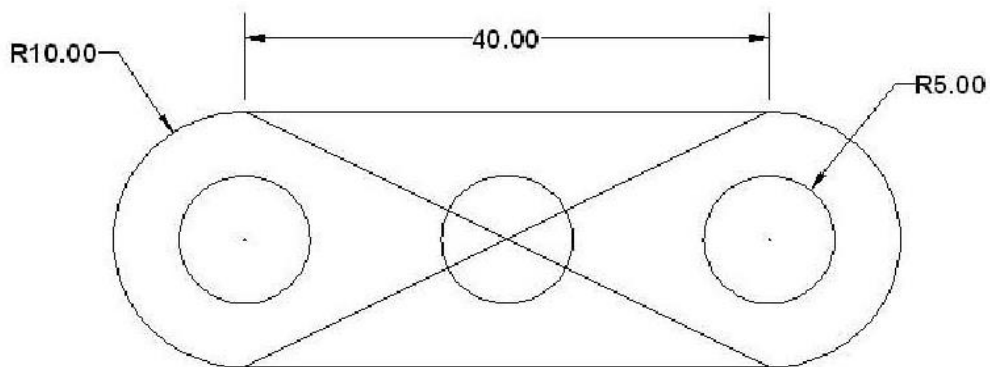


Tutorial sheet No.1

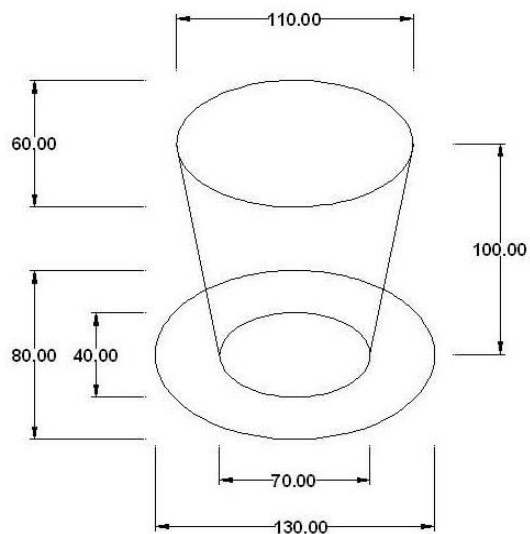
Q1: Draw the following figure. Use absolute Cartesian, relative Cartesian and relative polar for entering points



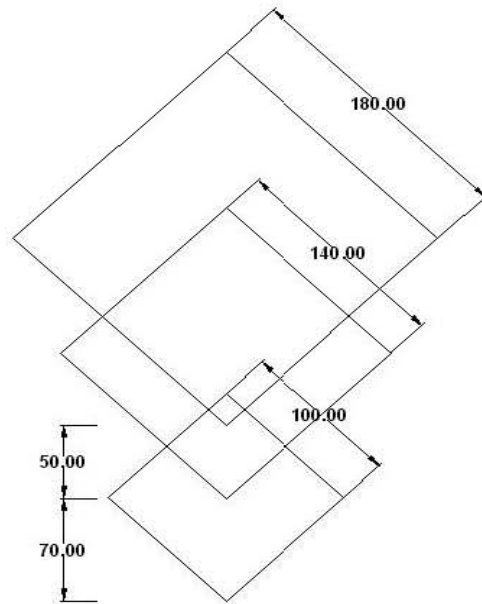
Q2: Draw the following figure.



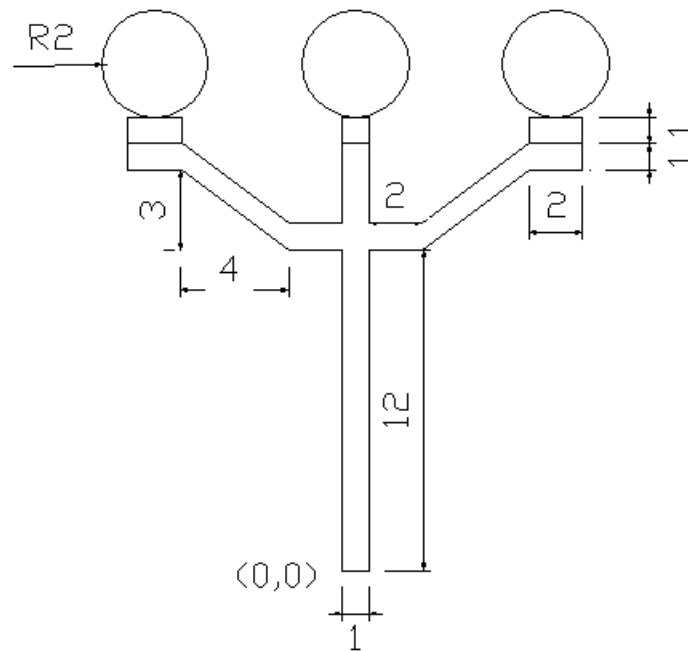
Q3: Draw the following figure (Quiz class B)



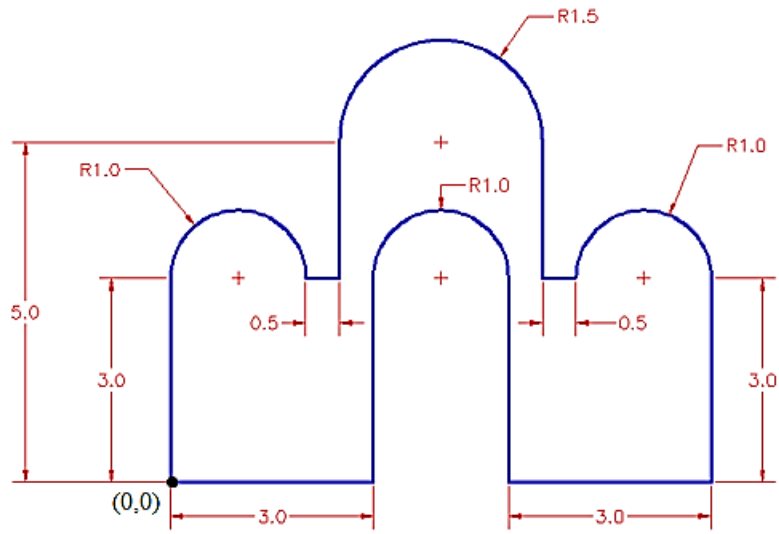
Q4: (Quiz B)



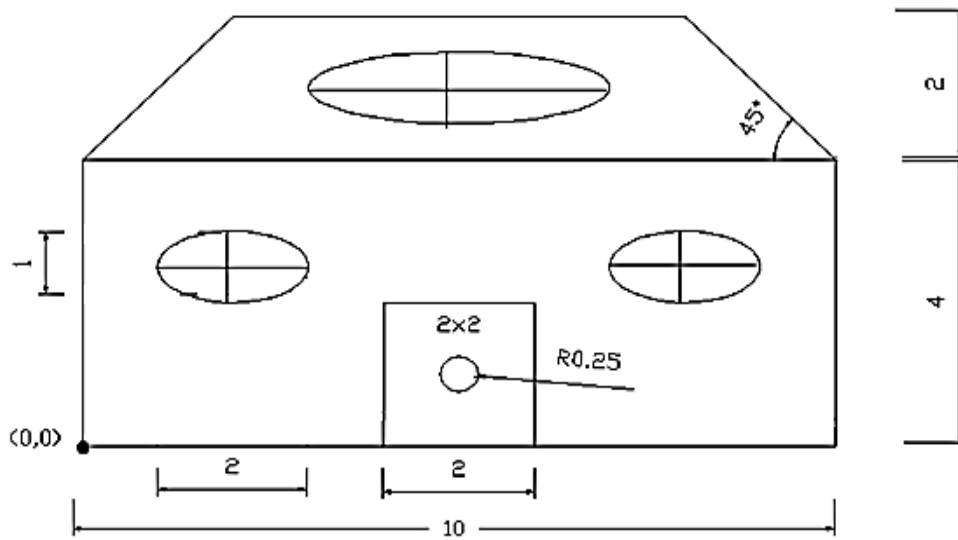
Q5: Draw the following figure. Note that the figure is start from original point (0,0).



Q6:



Q7: (Quiz A)



Q8: (Quiz A)

